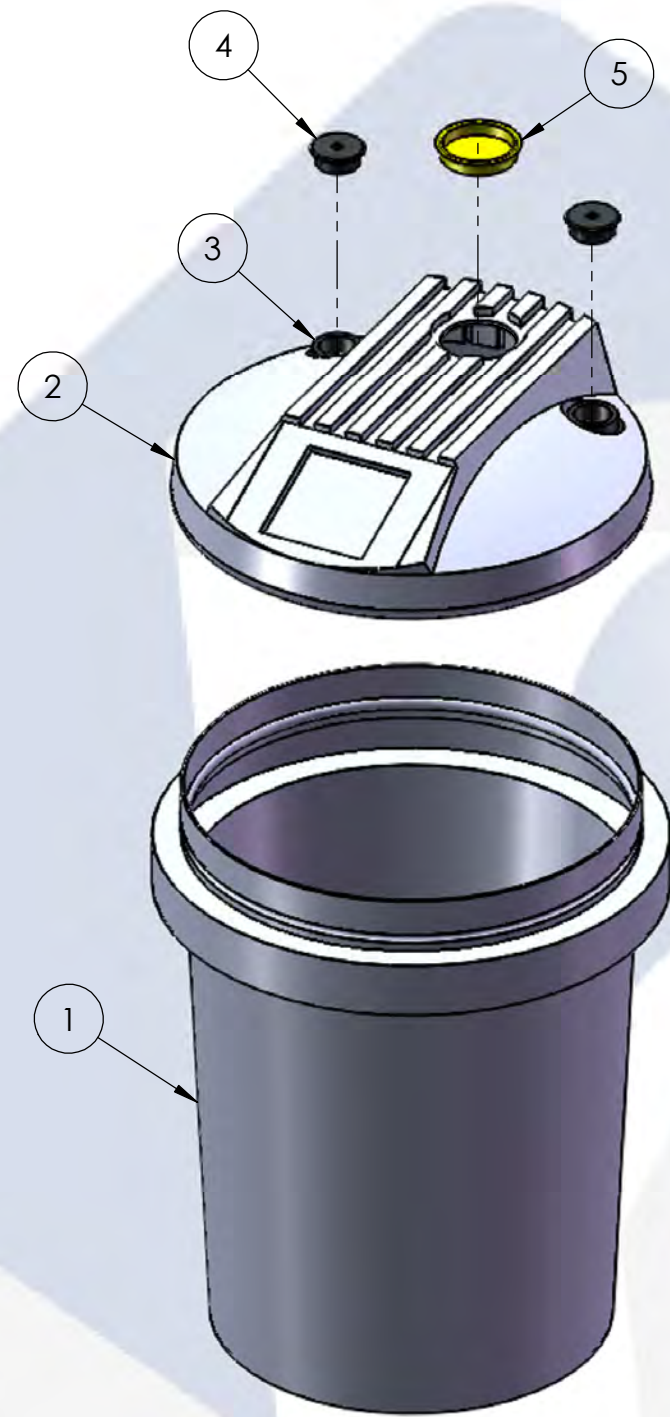


55 GALLON AQUARIUS	PART NUMBER	
	BLUE	NATURAL
STANDARD (1.5 SPG) - 3/16" WALL	01-28651	01-28649
HD (1.9 SPG) - 5/16" WALL	01-28655	01-28653



**TRIMETRIC VIEW
(ASSEMBLED)**



**TRIMETRIC VIEW
(EXPLODED)**

TOP LEVEL ASSEMBLY BOM		
ITEM NO.	DESCRIPTION	QTY.
1	55 GALLON AQUARIUS TANK	1
2	AQUARIUS TANK LID	1
3	2" SPINWELD FITTING, PE, BLACK	2
4	2" PLUG, PE, BLACK	2
5	4" YELLOW CAPLUG	1

NOTES:

- MATERIAL:** LLDPE, **COLOR:** NATURAL, **FINISH:** GLASS BEAD
- PART WEIGHT:** APPROX. 19 LBS. (3/16" WALL), 26 LBS. (5/16" WALL) LBS.

PROPRIETARY AND CONFIDENTIAL
 THE INFORMATION CONTAINED IN THIS DRAWING IS THE SOLE PROPERTY OF PEABODY ENGINEERING. ANY REPRODUCTION IN PART OR AS A WHOLE WITHOUT THE WRITTEN PERMISSION OF PEABODY ENGINEERING IS PROHIBITED.

UNLESS OTHERWISE SPECIFIED:
 DIMENSIONS ARE IN INCHES
 TOLERANCES:
 FRACTIONAL ± 1/8"
 ONE PLACE DECIMAL ± .25"
 TWO PLACE DECIMAL ± .125"
 THREE PLACE DECIMAL ± .063"
 TANK MATERIAL:
 LLDPE
 INNER TANK S/N:
 OUTER TANK S/N:
 CUSTOMER PO#
 DO NOT SCALE DRAWING

NAME	DATE
DRAWN: RFR	11/25/13
CHECKED:	
ENG APPR.:	
MFG APPR.:	
Q.A.:	
COMMENTS:	



PROJECT: 55GA AQUARIUS TANK ASSEMBLY		
CUSTOMER: PEABODY STANDARD		
SITE/LOCATION:		
DRAWING#: SEE TABLE		
SIZE	DESC.	REV.
B	55 GAL. AQUARIUS TAPERED CHEMICAL FEED TANK	B
SCALE: 1:10		SHEET 1 OF 2

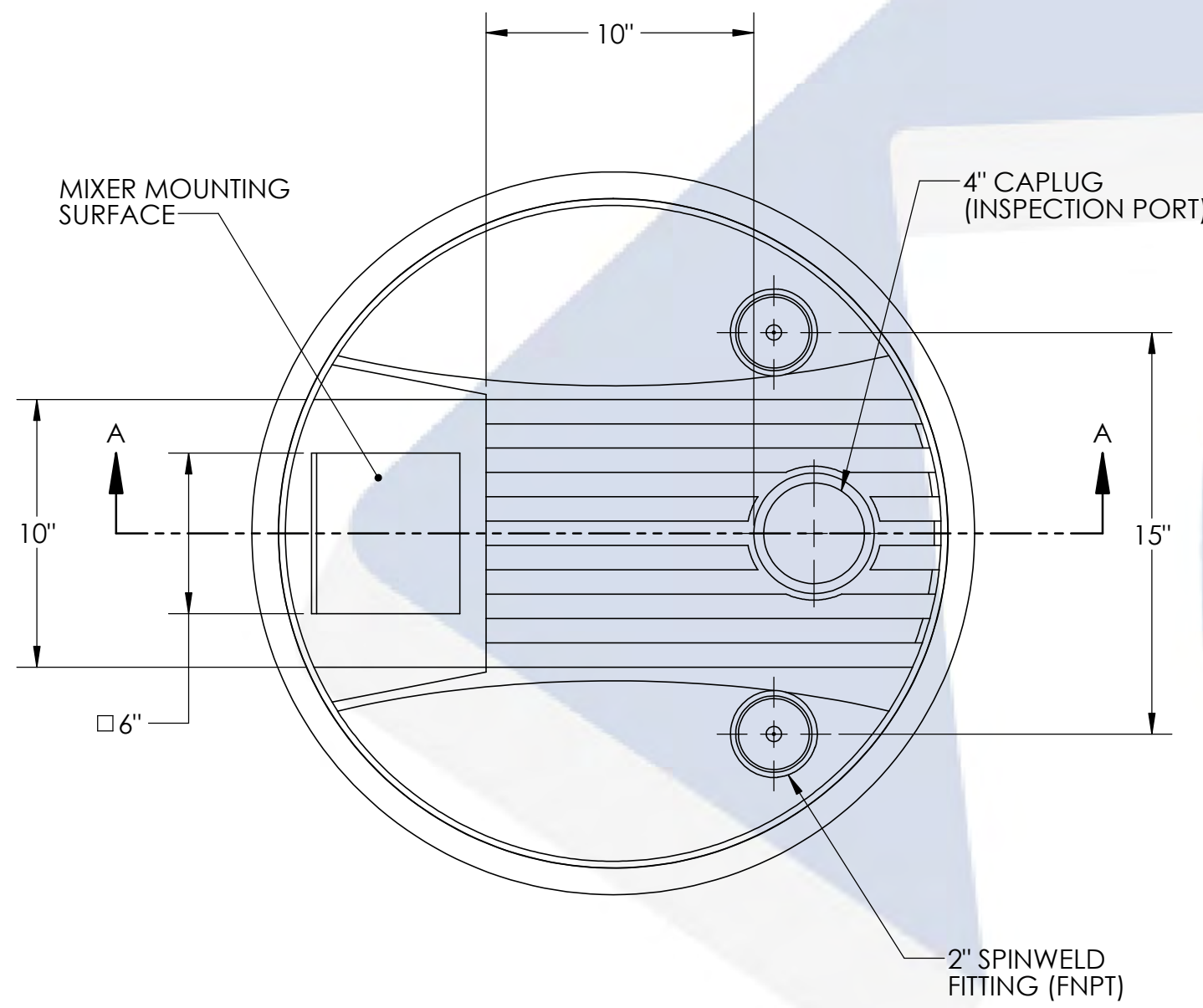
8 7 6 5 4 3 2 1

D D

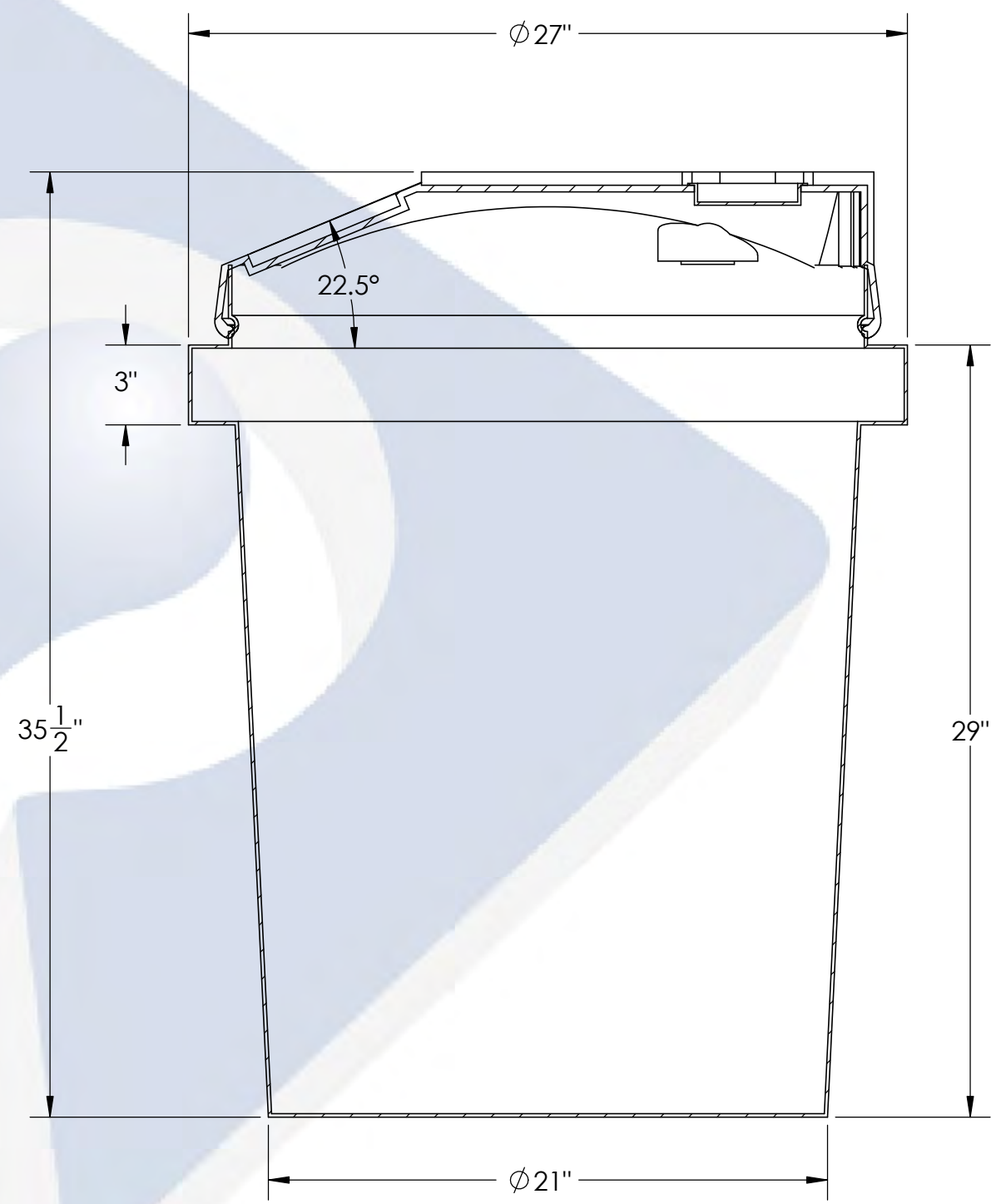
C C

B B

A A



PLAN VIEW



SECTION A-A



PROJECT: 55G AQUARIUS TANK ASSEMBLY, FOR CUSTOMER, REV B

SCALE: 1:6

SHEET 2 OF 2

8 7 6 5 4 3 2 1